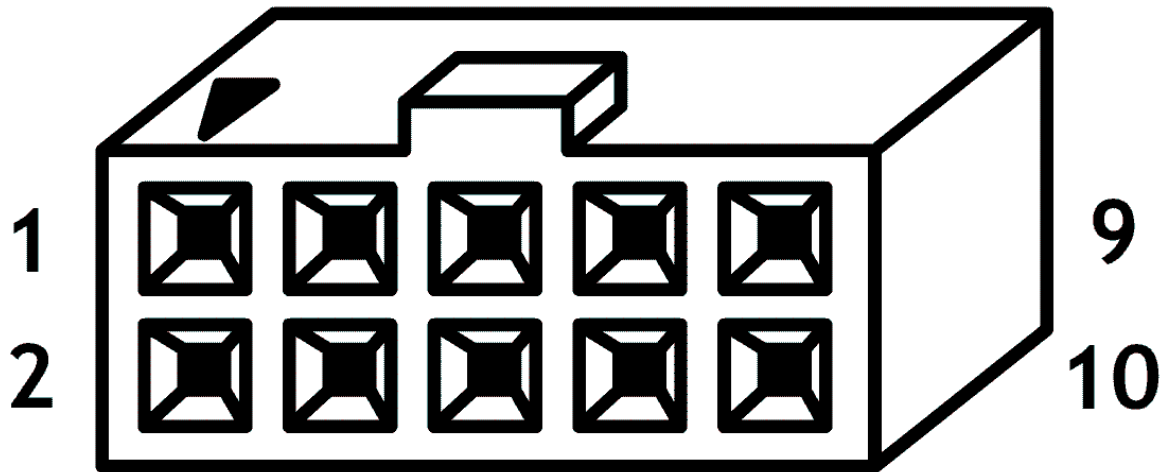


# Seagull Encoder

## PIN OUT



### Single-Ended

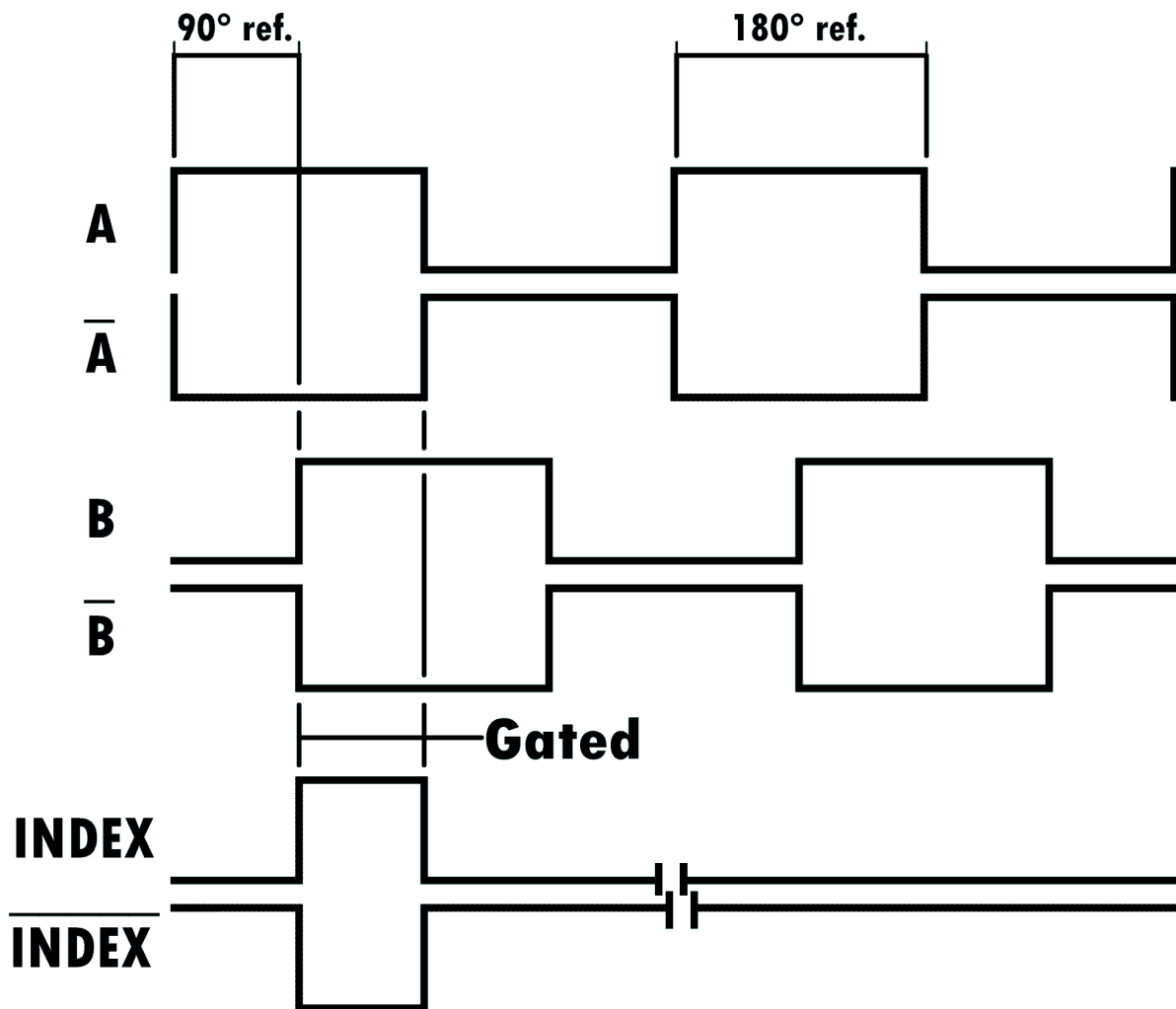
- 1 – Channel A
- 2 – +5V
- 3 – Ground / Shield
- 4 – NC
- 5 – NC
- 6 – NC
- 7 – NC
- 8 – Channel B
- 9 – NC
- 10 - Index

### Differential

- 1 – NC
- 2 – +5V
- 3 – Ground
- 4 – NC
- 5 –  $\overline{A}$
- 6 – A
- 7 –  $\overline{B}$
- 8 – B
- 9 –  $\overline{\text{Index}}$
- 10 – Index

# Encoder

## WAVE FORMS



MINIMUM EDGE SEPARATION ON ALL OUTPUTS 45°

A, B, INDEX ON MX 156 FORMAT

→ CCW ROTATION, ENCODER END →

PHASING AND SYMMETRY SHOWN IN ELECTRICAL DEGREES